

KUB型

気体・固体加熱用
ブッシング付きU曲げシースヒータ

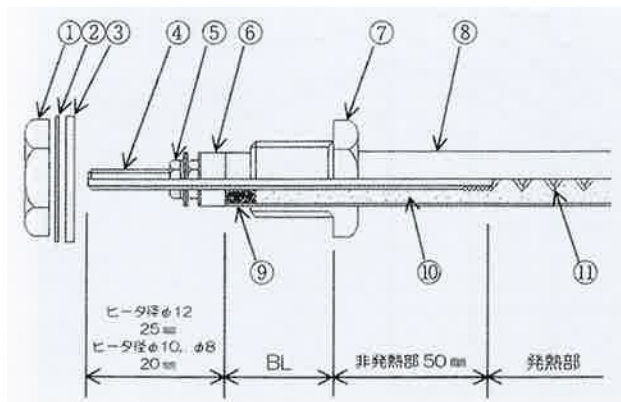
ブッシングを使用することにより
直接取り付け可能なシースヒータ



特徴

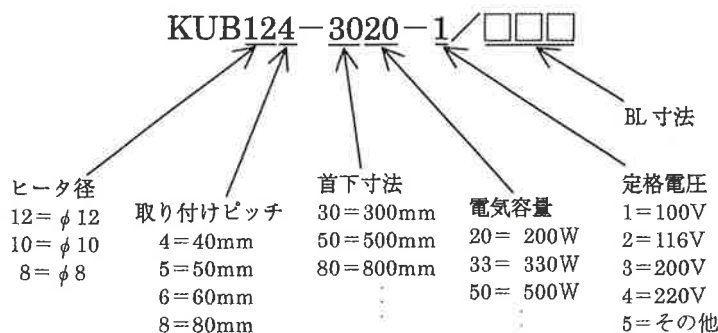
- ▶ 気体(空気等)や固体(金型や熱板等)の加熱に最適です。
- ▶ ヒータエレメントの材質は錆・腐食に強いステンレスを使用しております。
- ▶ KUB型シースヒータは、ヒータ径φ12、φ10、φ8を標準化しております。
- ▶ 長期間安定してご使用いただくために、エレメントの表面電力密度を2.5W/cm²以下に設定しております。

□ 端子部・ブッシング部の構造(材質・寸法)



- ① ナット (鉄・ユニクロムメッキ)
- ② 座金 (鉄・ユニクロムメッキ)
- ③ ガasket (ノンアスベスト)
- ④ 端子ピン (SUS304)
- ⑤ ナット (黄銅・ニッケルメッキ)
- ⑥ 絶縁ワッシャ (セラミック)
- ⑦ ブッシング (SUS304 等)
型式、BL寸法は『ブッシング』欄を参照して下さい。
- ⑧ ヒータパイプ (SUS304、SUS321 等)
- ⑨ 封口材 (ガラス、シリコン樹脂 等)
- ⑩ 絶縁粉末 (酸化マグネシウム MgO)
- ⑪ 発熱線 (ニクロム線)

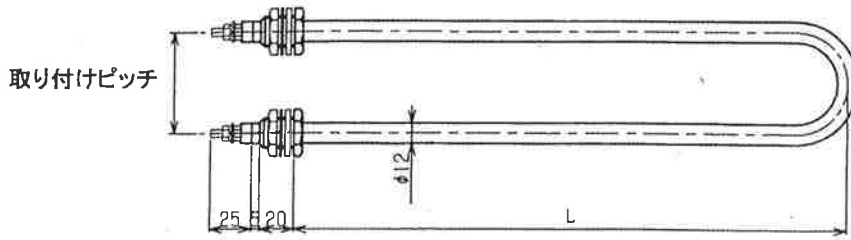
□ 形式の表示方法



KUB124

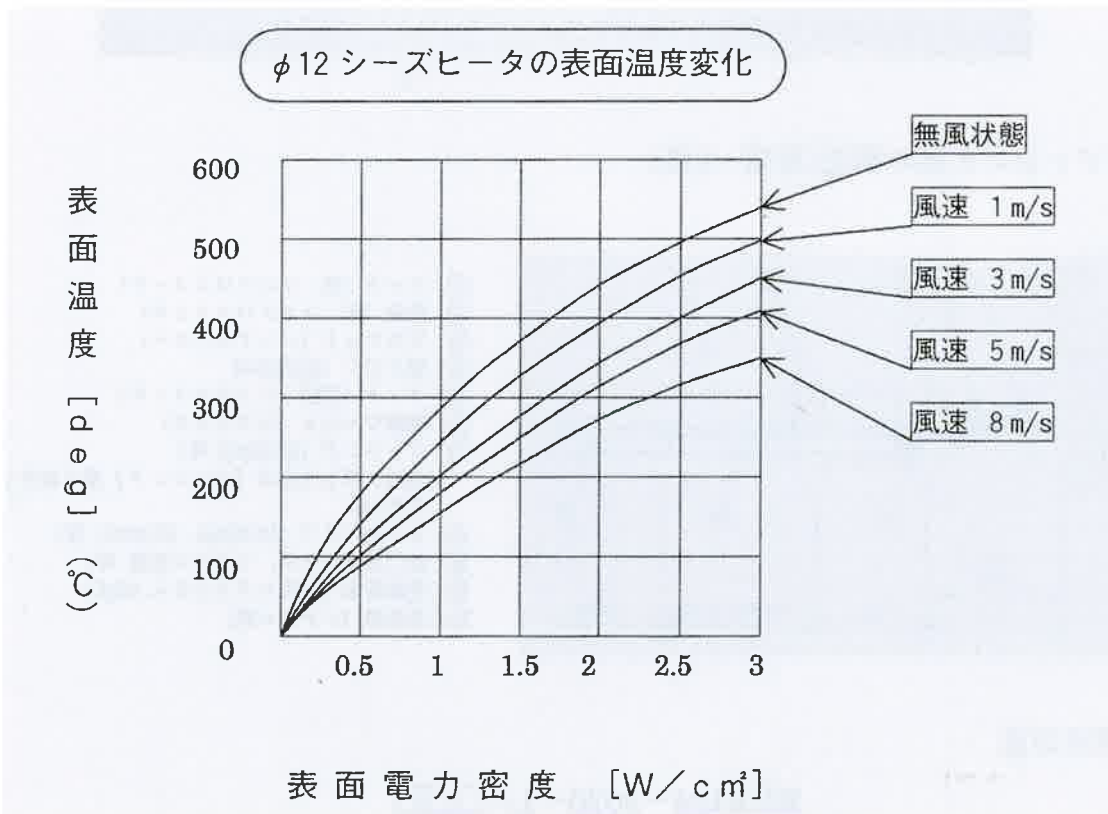
ヒータ径 $\phi 12$
取り付けピッチ 40 mm

□ 形状・寸法



- ◇ KUB12型シーズヒータは、取り付けピッチ 40、60、80(mm)、首下寸法 200～1500(mm)の中から用途に応じたヒータを選べます。
- ◇ ブッシングはM18×20、M18×45 など用途により選べます。(別頁参照)

□ 性能



注意

上記グラフの表面温度と表面電力密度の関係は、シーズヒータの寿命や性能を決定します。表面電力密度は、 2.5 W/cm^2 を越えない様にして下さい。このグラフは、一本のヒータエレメントを空气中に水平放置した場合の表面温度で、被加熱物に密着して取り付けられた場合は放熱効果が良くなり、表面温度は低くなります。また、数本のヒータエレメントを隣接して設置した場合は、相互熱影響で表面温度は高くなります。

KUB124

ヒータ径φ12
取り付けピッチ 40 mm

□ 仕様

L	電力 W	形式				電力密度 W/cm ²
		100V	116V	200V	220V	
150	150	KUB124-1515-1	KUB124-1515-2			1.89
	200	KUB124-1520-1	KUB124-1520-2			2.51
200	100	KUB124-2010-1	KUB124-2010-2	KUB124-2010-3	KUB124-2010-4	0.85
	200	KUB124-2020-1	KUB124-2020-2	KUB124-2020-3	KUB124-2020-4	1.71
	300	KUB124-2030-1	KUB124-2030-2	KUB124-2030-3	KUB124-2030-4	2.56
300	200	KUB124-3020-1	KUB124-3020-2	KUB124-3020-3	KUB124-3020-4	1.04
	330	KUB124-3033-1	KUB124-3033-2	KUB124-3033-3	KUB124-3033-4	1.71
	500	KUB124-3050-1	KUB124-3050-2	KUB124-3050-3	KUB124-3050-4	2.59
400	330	KUB124-4033-1	KUB124-4033-2	KUB124-4033-3	KUB124-4033-4	1.23
	500	KUB124-4050-1	KUB124-4050-2	KUB124-4050-3	KUB124-4050-4	1.86
	670	KUB124-4067-1	KUB124-4067-2	KUB124-4067-3	KUB124-4067-4	2.50
500	330	KUB124-5033-1	KUB124-5033-2	KUB124-5033-3	KUB124-5033-4	0.96
	500	KUB124-5050-1	KUB124-5050-2	KUB124-5050-3	KUB124-5050-4	1.45
	670	KUB124-5067-1	KUB124-5067-2	KUB124-5067-3	KUB124-5067-4	1.95
600	330	KUB124-6033-1	KUB124-6033-2	KUB124-6033-3	KUB124-6033-4	0.79
	670	KUB124-6067-1	KUB124-6067-2	KUB124-6067-3	KUB124-6067-4	1.60
	1000	KUB124-60100-1	KUB124-60100-2	KUB124-60100-3	KUB124-60100-4	2.39
700	330	KUB124-7033-1	KUB124-7033-2	KUB124-7033-3	KUB124-7033-4	0.67
	670	KUB124-7067-1	KUB124-7067-2	KUB124-7067-3	KUB124-7067-4	1.35
	1000	KUB124-70100-1	KUB124-70100-2	KUB124-70100-3	KUB124-70100-4	2.02
800	670	KUB124-8067-1	KUB124-8067-2	KUB124-8067-3	KUB124-8067-4	1.18
	1000	KUB124-80100-1	KUB124-80100-2	KUB124-80100-3	KUB124-80100-4	1.75
	1330	KUB124-80133-1	KUB124-80133-2	KUB124-80133-3	KUB124-80133-4	2.33
900	670	KUB124-9067-1	KUB124-9067-2	KUB124-9067-3	KUB124-9067-4	1.04
	1000	KUB124-90100-1	KUB124-90100-2	KUB124-90100-3	KUB124-90100-4	1.55
	1330	KUB124-90133-1	KUB124-90133-2	KUB124-90133-3	KUB124-90133-4	2.06
	1670	KUB124-90167-1	KUB124-90167-2	KUB124-90167-3	KUB124-90167-4	2.59
1000	670	KUB124-10067-1	KUB124-10067-2	KUB124-10067-3	KUB124-10067-4	0.93
	1000	KUB124-100100-1	KUB124-100100-2	KUB124-100100-3	KUB124-100100-4	1.39
	1330	KUB124-100133-1	KUB124-100133-2	KUB124-100133-3	KUB124-100133-4	1.84
	1670	KUB124-100167-1	KUB124-100167-2	KUB124-100167-3	KUB124-100167-4	2.32
1100	670	KUB124-11067-1	KUB124-11067-2	KUB124-11067-3	KUB124-11067-4	0.84
	1000	KUB124-110100-1	KUB124-110100-2	KUB124-110100-3	KUB124-110100-4	1.26
	1330	KUB124-110133-1	KUB124-110133-2	KUB124-110133-3	KUB124-110133-4	1.67
	1670	KUB124-110167-1	KUB124-110167-2	KUB124-110167-3	KUB124-110167-4	2.10
	2000		KUB124-110200-2	KUB124-110200-3	KUB124-110200-4	2.51
1200	670	KUB124-12067-1	KUB124-12067-2	KUB124-12067-3	KUB124-12067-4	0.77
	1000	KUB124-120100-1	KUB124-120100-2	KUB124-120100-3	KUB124-120100-4	1.15
	1330	KUB124-120133-1	KUB124-120133-2	KUB124-120133-3	KUB124-120133-4	1.53
	1670	KUB124-120167-1	KUB124-120167-2	KUB124-120167-3	KUB124-120167-4	1.92
	2000		KUB124-120200-2	KUB124-120200-3	KUB124-120200-4	2.29
1300	1000	KUB124-130100-1	KUB124-130100-2	KUB124-130100-3	KUB124-130100-4	1.06
	1330	KUB124-130133-1	KUB124-130133-2	KUB124-130133-3	KUB124-130133-4	1.40
	1670	KUB124-130167-1	KUB124-130167-2	KUB124-130167-3	KUB124-130167-4	1.76
	2000		KUB124-130200-2	KUB124-130200-3	KUB124-130200-4	2.11
	2330			KUB124-130233-3	KUB124-130233-4	2.46
1400	1000	KUB124-140100-1	KUB124-140100-2	KUB124-140100-3	KUB124-140100-4	0.98
	1330	KUB124-140133-1	KUB124-140133-2	KUB124-140133-3	KUB124-140133-4	1.30
	1670	KUB124-140167-1	KUB124-140167-2	KUB124-140167-3	KUB124-140167-4	1.63
	2000		KUB124-140200-2	KUB124-140200-3	KUB124-140200-4	1.96
	2330			KUB124-140233-3	KUB124-140233-4	2.28
1500	1000	KUB124-150100-1	KUB124-150100-2	KUB124-150100-3	KUB124-150100-4	0.91
	1330	KUB124-150133-1	KUB124-150133-2	KUB124-150133-3	KUB124-150133-4	1.21
	1670	KUB124-150167-1	KUB124-150167-2	KUB124-150167-3	KUB124-150167-4	1.52
	2000		KUB124-150200-2	KUB124-150200-3	KUB124-150200-4	1.82
	2330			KUB124-150233-3	KUB124-150233-4	2.12
	2670			KUB124-150267-3	KUB124-150267-4	2.43

上記以外の仕様のヒータも製作いたします。

KUB126

ヒータ径φ12
取り付けピッチ 60 mm

□ 仕様

L	電力 W	形式				電力密度 W/cm ²
		100V	116V	200V	220V	
150	150	KUB126-1515-1	KUB126-1515-2			1.79
	200	KUB126-1520-1	KUB126-1520-2	KUB126-1520-3		2.39
200	100	KUB126-2010-1	KUB126-2010-2	KUB126-2010-3	KUB126-2010-4	0.82
	200	KUB126-2020-1	KUB126-2020-2	KUB126-2020-3	KUB126-2020-4	1.64
	300	KUB126-2030-1	KUB126-2030-2	KUB126-2030-3	KUB126-2030-4	2.47
300	200	KUB126-3020-1	KUB126-3020-2	KUB126-3020-3	KUB126-3020-4	1.01
	330	KUB126-3033-1	KUB126-3033-2	KUB126-3033-3	KUB126-3033-4	1.67
	500	KUB126-3050-1	KUB126-3050-2	KUB126-3050-3	KUB126-3050-4	2.54
400	330	KUB126-4033-1	KUB126-4033-2	KUB126-4033-3	KUB126-4033-4	1.21
	500	KUB126-4050-1	KUB126-4050-2	KUB126-4050-3	KUB126-4050-4	1.83
	670	KUB126-4067-1	KUB126-4067-2	KUB126-4067-3	KUB126-4067-4	2.46
500	330	KUB126-5033-1	KUB126-5033-2	KUB126-5033-3	KUB126-5033-4	0.95
	500	KUB126-5050-1	KUB126-5050-2	KUB126-5050-3	KUB126-5050-4	1.44
	670	KUB126-5067-1	KUB126-5067-2	KUB126-5067-3	KUB126-5067-4	1.93
600	330	KUB126-6033-1	KUB126-6033-2	KUB126-6033-3	KUB126-6033-4	0.78
	670	KUB126-6067-1	KUB126-6067-2	KUB126-6067-3	KUB126-6067-4	1.58
	1000	KUB126-60100-1	KUB126-60100-2	KUB126-60100-3	KUB126-60100-4	2.36
700	330	KUB126-7033-1	KUB126-7033-2	KUB126-7033-3	KUB126-7033-4	0.66
	670	KUB126-7067-1	KUB126-7067-2	KUB126-7067-3	KUB126-7067-4	1.34
	1000	KUB126-70100-1	KUB126-70100-2	KUB126-70100-3	KUB126-70100-4	2.00
800	670	KUB126-8067-1	KUB126-8067-2	KUB126-8067-3	KUB126-8067-4	1.17
	1000	KUB126-80100-1	KUB126-80100-2	KUB126-80100-3	KUB126-80100-4	1.74
	1330	KUB126-80133-1	KUB126-80133-2	KUB126-80133-3	KUB126-80133-4	2.32
900	670	KUB126-9067-1	KUB126-9067-2	KUB126-9067-3	KUB126-9067-4	1.03
	1000	KUB126-90100-1	KUB126-90100-2	KUB126-90100-3	KUB126-90100-4	1.54
	1330	KUB126-90133-1	KUB126-90133-2	KUB126-90133-3	KUB126-90133-4	2.05
	1670	KUB126-90167-1	KUB126-90167-2	KUB126-90167-3	KUB126-90167-4	2.57
1000	670	KUB126-10067-1	KUB126-10067-2	KUB126-10067-3	KUB126-10067-4	0.92
	1000	KUB126-100100-1	KUB126-100100-2	KUB126-100100-3	KUB126-100100-4	1.38
	1330	KUB126-100133-1	KUB126-100133-2	KUB126-100133-3	KUB126-100133-4	1.83
	1670	KUB126-100167-1	KUB126-100167-2	KUB126-100167-3	KUB126-100167-4	2.30
1100	670	KUB126-11067-1	KUB126-11067-2	KUB126-11067-3	KUB126-11067-4	0.84
	1000	KUB126-110100-1	KUB126-110100-2	KUB126-110100-3	KUB126-110100-4	1.25
	1330	KUB126-110133-1	KUB126-110133-2	KUB126-110133-3	KUB126-110133-4	1.66
	1670	KUB126-110167-1	KUB126-110167-2	KUB126-110167-3	KUB126-110167-4	2.09
	2000		KUB126-110200-2	KUB126-110200-3	KUB126-110200-4	2.50
1200	670	KUB126-12067-1	KUB126-12067-2	KUB126-12067-3	KUB126-12067-4	0.76
	1000	KUB126-120100-1	KUB126-120100-2	KUB126-120100-3	KUB126-120100-4	1.14
	1330	KUB126-120133-1	KUB126-120133-2	KUB126-120133-3	KUB126-120133-4	1.52
	1670	KUB126-120167-1	KUB126-120167-2	KUB126-120167-3	KUB126-120167-4	1.91
	2000		KUB126-120200-2	KUB126-120200-3	KUB126-120200-4	2.28
1300	1000	KUB126-130100-1	KUB126-130100-2	KUB126-130100-3	KUB126-130100-4	1.05
	1330	KUB126-130133-1	KUB126-130133-2	KUB126-130133-3	KUB126-130133-4	1.40
	1670	KUB126-130167-1	KUB126-130167-2	KUB126-130167-3	KUB126-130167-4	1.75
	2000		KUB126-130200-2	KUB126-130200-3	KUB126-130200-4	2.10
	2330			KUB126-130233-3	KUB126-130233-4	2.45
1400	1000	KUB126-140100-1	KUB126-140100-2	KUB126-140100-3	KUB126-140100-4	0.97
	1330	KUB126-140133-1	KUB126-140133-2	KUB126-140133-3	KUB126-140133-4	1.29
	1670	KUB126-140167-1	KUB126-140167-2	KUB126-140167-3	KUB126-140167-4	1.63
	2000		KUB126-140200-2	KUB126-140200-3	KUB126-140200-4	1.95
	2330			KUB126-140233-3	KUB126-140233-4	2.27
1500	1000	KUB126-150100-1	KUB126-150100-2	KUB126-150100-3	KUB126-150100-4	0.91
	1330	KUB126-150133-1	KUB126-150133-2	KUB126-150133-3	KUB126-150133-4	1.21
	1670	KUB126-150167-1	KUB126-150167-2	KUB126-150167-3	KUB126-150167-4	1.51
	2000		KUB126-150200-2	KUB126-150200-3	KUB126-150200-4	1.81
	2330			KUB126-150233-3	KUB126-150233-4	2.11
	2670			KUB126-150267-3	KUB126-150267-4	2.42

上記以外の仕様のヒータも製作いたします。

KUB128

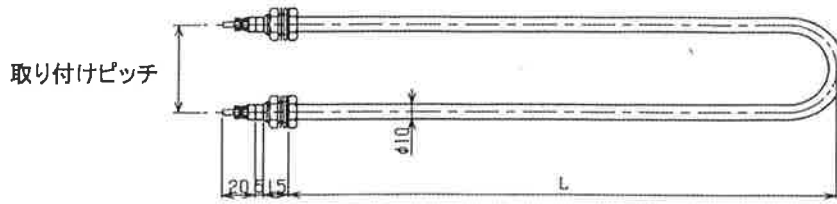
ヒータ径φ12
取り付けピッチ 80 mm

□ 仕様

L	電力 W	形式				電力密度 W/cm ²
		100V	116V	200V	220V	
150	150	KUB128-1515-1	KUB128-1515-2			1.70
	200	KUB128-1520-1	KUB128-1520-2	KUB128-1520-3		2.27
200	100	KUB128-2010-1	KUB128-2010-2	KUB128-2010-3	KUB128-2010-4	0.79
	200	KUB128-2020-1	KUB128-2020-2	KUB128-2020-3	KUB128-2020-4	1.59
	300	KUB128-2030-1	KUB128-2030-2	KUB128-2030-3	KUB128-2030-4	2.38
300	200	KUB128-3020-1	KUB128-3020-2	KUB128-3020-3	KUB128-3020-4	0.99
	330	KUB128-3033-1	KUB128-3033-2	KUB128-3033-3	KUB128-3033-4	1.64
	500	KUB128-3050-1	KUB128-3050-2	KUB128-3050-3	KUB128-3050-4	2.48
400	330	KUB128-4033-1	KUB128-4033-2	KUB128-4033-3	KUB128-4033-4	1.19
	500	KUB128-4050-1	KUB128-4050-2	KUB128-4050-3	KUB128-4050-4	1.81
	670	KUB128-4067-1	KUB128-4067-2	KUB128-4067-3	KUB128-4067-4	2.42
500	330	KUB128-5033-1	KUB128-5033-2	KUB128-5033-3	KUB128-5033-4	0.94
	500	KUB128-5050-1	KUB128-5050-2	KUB128-5050-3	KUB128-5050-4	1.42
	670	KUB128-5067-1	KUB128-5067-2	KUB128-5067-3	KUB128-5067-4	1.90
600	330	KUB128-6033-1	KUB128-6033-2	KUB128-6033-3	KUB128-6033-4	0.77
	670	KUB128-6067-1	KUB128-6067-2	KUB128-6067-3	KUB128-6067-4	1.57
	1000	KUB128-60100-1	KUB128-60100-2	KUB128-60100-3	KUB128-60100-4	2.34
700	330	KUB128-7033-1	KUB128-7033-2	KUB128-7033-3	KUB128-7033-4	0.66
	670	KUB128-7067-1	KUB128-7067-2	KUB128-7067-3	KUB128-7067-4	1.33
	1000	KUB128-70100-1	KUB128-70100-2	KUB128-70100-3	KUB128-70100-4	1.99
800	670	KUB128-8067-1	KUB128-8067-2	KUB128-8067-3	KUB128-8067-4	1.16
	1000	KUB128-80100-1	KUB128-80100-2	KUB128-80100-3	KUB128-80100-4	1.73
	1330	KUB128-80133-1	KUB128-80133-2	KUB128-80133-3	KUB128-80133-4	2.30
900	670	KUB128-9067-1	KUB128-9067-2	KUB128-9067-3	KUB128-9067-4	1.02
	1000	KUB128-90100-1	KUB128-90100-2	KUB128-90100-3	KUB128-90100-4	1.53
	1330	KUB128-90133-1	KUB128-90133-2	KUB128-90133-3	KUB128-90133-4	2.03
	1670	KUB128-90167-1	KUB128-90167-2	KUB128-90167-3	KUB128-90167-4	2.55
1000	670	KUB128-10067-1	KUB128-10067-2	KUB128-10067-3	KUB128-10067-4	0.92
	1000	KUB128-100100-1	KUB128-100100-2	KUB128-100100-3	KUB128-100100-4	1.37
	1330	KUB128-100133-1	KUB128-100133-2	KUB128-100133-3	KUB128-100133-4	1.82
	1670	KUB128-100167-1	KUB128-100167-2	KUB128-100167-3	KUB128-100167-4	2.29
1100	670	KUB128-11067-1	KUB128-11067-2	KUB128-11067-3	KUB128-11067-4	0.83
	1000	KUB128-110100-1	KUB128-110100-2	KUB128-110100-3	KUB128-110100-4	1.24
	1330	KUB128-110133-1	KUB128-110133-2	KUB128-110133-3	KUB128-110133-4	1.65
	1670	KUB128-110167-1	KUB128-110167-2	KUB128-110167-3	KUB128-110167-4	2.07
	2000		KUB128-110200-2	KUB128-110200-3	KUB128-110200-4	2.48
1200	670	KUB128-12067-1	KUB128-12067-2	KUB128-12067-3	KUB128-12067-4	0.76
	1000	KUB128-120100-1	KUB128-120100-2	KUB128-120100-3	KUB128-120100-4	1.14
	1330	KUB128-120133-1	KUB128-120133-2	KUB128-120133-3	KUB128-120133-4	1.51
	1670	KUB128-120167-1	KUB128-120167-2	KUB128-120167-3	KUB128-120167-4	1.90
	2000		KUB128-120200-2	KUB128-120200-3	KUB128-120200-4	2.27
1300	1000	KUB128-130100-1	KUB128-130100-2	KUB128-130100-3	KUB128-130100-4	1.05
	1330	KUB128-130133-1	KUB128-130133-2	KUB128-130133-3	KUB128-130133-4	1.39
	1670	KUB128-130167-1	KUB128-130167-2	KUB128-130167-3	KUB128-130167-4	1.75
	2000		KUB128-130200-2	KUB128-130200-3	KUB128-130200-4	2.09
	2330			KUB128-130233-3	KUB128-130233-4	2.44
1400	1000	KUB128-140100-1	KUB128-140100-2	KUB128-140100-3	KUB128-140100-4	0.97
	1330	KUB128-140133-1	KUB128-140133-2	KUB128-140133-3	KUB128-140133-4	1.29
	1670	KUB128-140167-1	KUB128-140167-2	KUB128-140167-3	KUB128-140167-4	1.62
	2000		KUB128-140200-2	KUB128-140200-3	KUB128-140200-4	1.94
	2330			KUB128-140233-3	KUB128-140233-4	2.26
1500	1000	KUB128-150100-1	KUB128-150100-2	KUB128-150100-3	KUB128-150100-4	0.90
	1330	KUB128-150133-1	KUB128-150133-2	KUB128-150133-3	KUB128-150133-4	1.20
	1670	KUB128-150167-1	KUB128-150167-2	KUB128-150167-3	KUB128-150167-4	1.51
	2000		KUB128-150200-2	KUB128-150200-3	KUB128-150200-4	1.81
	2330			KUB128-150233-3	KUB128-150233-4	2.10
	2670			KUB128-150267-3	KUB128-150267-4	2.41

上記以外の仕様のヒータも製作いたします。

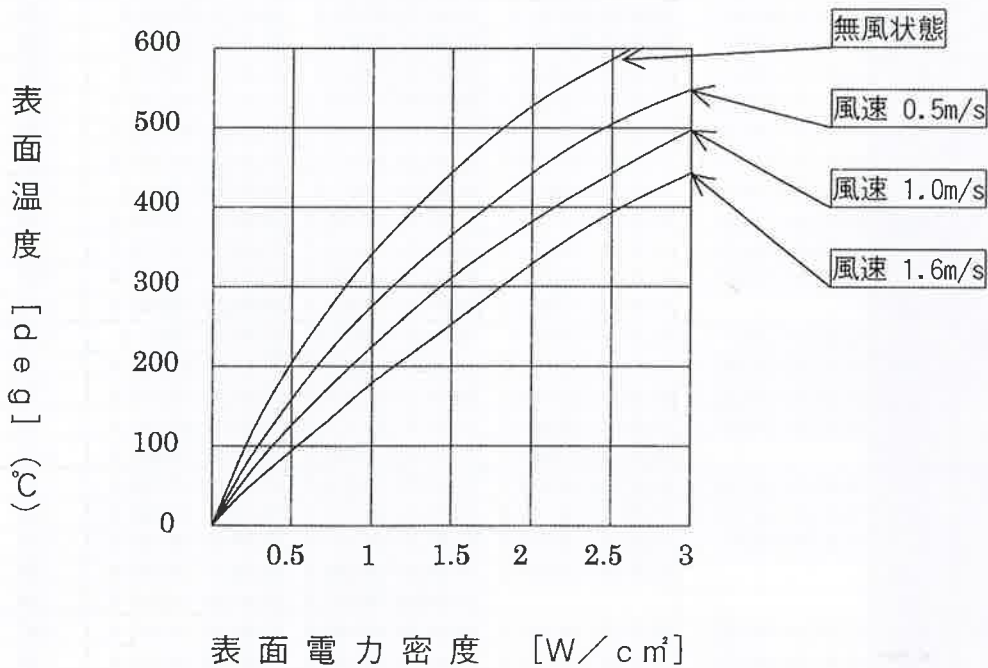
□ 形状・寸法



- ◇ KUB10型シーズヒータは取り付けピッチ 40、50、60 (mm)、首下寸法 200～1500 (mm)の中から用途に応じたヒータを選べます。
- ◇ ブッシングはM14×15 を標準化しております。(別頁参照)

□ 性能

φ10 シーズヒータの表面温度変化



注意

上記グラフの表面温度と表面電力密度の関係は、シーズヒータの寿命や性能を決定します。表面電力密度は、 2.5W/cm^2 を越えない様にして下さい。このグラフは、一本のヒータエレメントを空气中に水平放置した場合の表面温度で、被加熱物に密着して取り付けられた場合は放熱効果が良くなり、表面温度は低くなります。また、数本のヒータエレメントを隣接して設置した場合は、相互熱影響で表面温度は高くなります。

KUB104

ヒータ径φ10
取り付けピッチ 40 mm

□ 仕様

L	電力 W	形式				電力密度 W/cm ²
		100V	116V	200V	220V	
200	100	KUB104-2010-1				1.02
	150	KUB104-2015-1	KUB104-2015-2			1.52
	250	KUB104-2025-1	KUB104-2025-2			2.54
300	150	KUB104-3015-1	KUB104-3015-2			0.93
	330	KUB104-3033-1	KUB104-3033-2	KUB104-3033-3	KUB104-3033-4	2.05
	400	KUB104-3040-1	KUB104-3040-2	KUB104-3040-3	KUB104-3040-4	2.48
400	330	KUB104-4033-1	KUB104-4033-2	KUB104-4033-3	KUB104-4033-4	1.47
	400	KUB104-4040-1	KUB104-4040-2	KUB104-4040-3	KUB104-4040-4	1.78
	500	KUB104-4050-1	KUB104-4050-2	KUB104-4050-3	KUB104-4050-4	2.23
500	330	KUB104-5033-1	KUB104-5033-2	KUB104-5033-3	KUB104-5033-4	1.15
	500	KUB104-5050-1	KUB104-5050-2	KUB104-5050-3	KUB104-5050-4	1.74
	670	KUB104-5067-1	KUB104-5067-2	KUB104-5067-3	KUB104-5067-4	2.33
600	330	KUB104-6033-1	KUB104-6033-2	KUB104-6033-3	KUB104-6033-4	0.94
	670	KUB104-6067-1	KUB104-6067-2	KUB104-6067-3	KUB104-6067-4	1.91
	830	KUB104-6083-1	KUB104-6083-2	KUB104-6083-3	KUB104-6083-4	2.37
700	330	KUB104-7033-1	KUB104-7033-2	KUB104-7033-3	KUB104-7033-4	0.80
	670	KUB104-7067-1	KUB104-7067-2	KUB104-7067-3	KUB104-7067-4	1.62
	1000	KUB104-70100-1	KUB104-70100-2	KUB104-70100-3	KUB104-70100-4	2.42
800	330	KUB104-8033-1	KUB104-8033-2	KUB104-8033-3	KUB104-8033-4	0.69
	670	KUB104-8067-1	KUB104-8067-2	KUB104-8067-3	KUB104-8067-4	1.41
	1000	KUB104-80100-1	KUB104-80100-2	KUB104-80100-3	KUB104-80100-4	2.10
900	670	KUB104-9067-1	KUB104-9067-2	KUB104-9067-3	KUB104-9067-4	1.24
	1000	KUB104-90100-1	KUB104-90100-2	KUB104-90100-3	KUB104-90100-4	1.86
	1330	KUB104-90133-1	KUB104-90133-2	KUB104-90133-3	KUB104-90133-4	2.47
1000	670	KUB104-10067-1	KUB104-10067-2	KUB104-10067-3	KUB104-10067-4	1.11
	1000	KUB104-100100-1	KUB104-100100-2	KUB104-100100-3	KUB104-100100-4	1.66
	1330	KUB104-100133-1	KUB104-100133-2	KUB104-100133-3	KUB104-100133-4	2.21
1100	670	KUB104-11067-1	KUB104-11067-2	KUB104-11067-3	KUB104-11067-4	1.01
	1000	KUB104-110100-1	KUB104-110100-2	KUB104-110100-3	KUB104-110100-4	1.51
	1330	KUB104-110133-1	KUB104-110133-2	KUB104-110133-3	KUB104-110133-4	2.00
	1670			KUB104-110167-3	KUB104-110167-4	2.51
1200	670	KUB104-12067-1	KUB104-12067-2	KUB104-12067-3	KUB104-12067-4	0.92
	1000	KUB104-120100-1	KUB104-120100-2	KUB104-120100-3	KUB104-120100-4	1.37
	1330	KUB104-120133-1	KUB104-120133-2	KUB104-120133-3	KUB104-120133-4	1.83
	1670			KUB104-120167-3	KUB104-120167-4	2.30
1300	670	KUB104-13067-1	KUB104-13067-2	KUB104-13067-3	KUB104-13067-4	0.85
	1000	KUB104-130100-1	KUB104-130100-2	KUB104-130100-3	KUB104-130100-4	1.27
	1330	KUB104-130133-1	KUB104-130133-2	KUB104-130133-3	KUB104-130133-4	1.68
	1670			KUB104-130167-3	KUB104-130167-4	2.11
	2000			KUB104-130200-3	KUB104-130200-4	2.53
1400	670	KUB104-14067-1	KUB104-14067-2	KUB104-14067-3	KUB104-14067-4	0.79
	1000	KUB104-140100-1	KUB104-140100-2	KUB104-140100-3	KUB104-140100-4	1.17
	1330	KUB104-140133-1	KUB104-140133-2	KUB104-140133-3	KUB104-140133-4	1.56
	1670			KUB104-140167-3	KUB104-140167-4	1.96
	2000			KUB104-140200-3	KUB104-140200-4	2.34
1500	1000	KUB104-150100-1	KUB104-150100-2	KUB104-150100-3	KUB104-150100-4	1.09
	1330	KUB104-150133-1	KUB104-150133-2	KUB104-150133-3	KUB104-150133-4	1.45
	1670			KUB104-150167-3	KUB104-150167-4	1.82
	2000			KUB104-150200-3	KUB104-150200-4	2.18
	2330			KUB104-150233-3	KUB104-150233-4	2.54

上記以外の仕様のヒータも製作いたします。

KUB105

ヒータ径φ10
取り付けピッチ 50 mm

□ 仕様

L	電力 W	形式				電力密度 W/cm ²
		100V	116V	200V	220V	
200	100	KUB105-2010-1				1.00
	150	KUB105-2015-1	KUB105-2015-2			1.50
	250	KUB105-2025-1	KUB105-2025-2			2.50
300	150	KUB105-3015-1	KUB105-3015-2			0.92
	330	KUB105-3033-1	KUB105-3033-2	KUB105-3033-3	KUB105-3033-4	2.02
	400	KUB105-3040-1	KUB105-3040-2	KUB105-3040-3	KUB105-3040-4	2.45
400	330	KUB105-4033-1	KUB105-4033-2	KUB105-4033-3	KUB105-4033-4	1.46
	400	KUB105-4040-1	KUB105-4040-2	KUB105-4040-3	KUB105-4040-4	1.77
	500	KUB105-4050-1	KUB105-4050-2	KUB105-4050-3	KUB105-4050-4	2.21
500	330	KUB105-5033-1	KUB105-5033-2	KUB105-5033-3	KUB105-5033-4	1.14
	500	KUB105-5050-1	KUB105-5050-2	KUB105-5050-3	KUB105-5050-4	1.73
	670	KUB105-5067-1	KUB105-5067-2	KUB105-5067-3	KUB105-5067-4	2.32
600	330	KUB105-6033-1	KUB105-6033-2	KUB105-6033-3	KUB105-6033-4	0.94
	670	KUB105-6067-1	KUB105-6067-2	KUB105-6067-3	KUB105-6067-4	1.90
	830	KUB105-6083-1	KUB105-6083-2	KUB105-6083-3	KUB105-6083-4	2.36
700	330	KUB105-7033-1	KUB105-7033-2	KUB105-7033-3	KUB105-7033-4	0.80
	670	KUB105-7067-1	KUB105-7067-2	KUB105-7067-3	KUB105-7067-4	1.62
	1000	KUB105-70100-1	KUB105-70100-2	KUB105-70100-3	KUB105-70100-4	2.41
800	330	KUB105-8033-1	KUB105-8033-2	KUB105-8033-3	KUB105-8033-4	0.69
	670	KUB105-8067-1	KUB105-8067-2	KUB105-8067-3	KUB105-8067-4	1.40
	1000	KUB105-80100-1	KUB105-80100-2	KUB105-80100-3	KUB105-80100-4	2.09
900	670	KUB105-9067-1	KUB105-9067-2	KUB105-9067-3	KUB105-9067-4	1.24
	1000	KUB105-90100-1	KUB105-90100-2	KUB105-90100-3	KUB105-90100-4	1.85
	1330	KUB105-90133-1	KUB105-90133-2	KUB105-90133-3	KUB105-90133-4	2.46
1000	670	KUB105-10067-1	KUB105-10067-2	KUB105-10067-3	KUB105-10067-4	1.11
	1000	KUB105-100100-1	KUB105-100100-2	KUB105-100100-3	KUB105-100100-4	1.66
	1330	KUB105-100133-1	KUB105-100133-2	KUB105-100133-3	KUB105-100133-4	2.20
1100	670	KUB105-11067-1	KUB105-11067-2	KUB105-11067-3	KUB105-11067-4	1.01
	1000	KUB105-110100-1	KUB105-110100-2	KUB105-110100-3	KUB105-110100-4	1.50
	1330	KUB105-110133-1	KUB105-110133-2	KUB105-110133-3	KUB105-110133-4	2.00
	1670			KUB105-110167-3	KUB105-110167-4	2.51
1200	670	KUB105-12067-1	KUB105-12067-2	KUB105-12067-3	KUB105-12067-4	0.92
	1000	KUB105-120100-1	KUB105-120100-2	KUB105-120100-3	KUB105-120100-4	1.37
	1330	KUB105-120133-1	KUB105-120133-2	KUB105-120133-3	KUB105-120133-4	1.82
	1670			KUB105-120167-3	KUB105-120167-4	2.29
1300	670	KUB105-13067-1	KUB105-13067-2	KUB105-13067-3	KUB105-13067-4	0.85
	1000	KUB105-130100-1	KUB105-130100-2	KUB105-130100-3	KUB105-130100-4	1.26
	1330	KUB105-130133-1	KUB105-130133-2	KUB105-130133-3	KUB105-130133-4	1.68
	1670			KUB105-130167-3	KUB105-130167-4	2.11
	2000			KUB105-130200-3	KUB105-130200-4	2.53
1400	670	KUB105-14067-1	KUB105-14067-2	KUB105-14067-3	KUB105-14067-4	0.78
	1000	KUB105-140100-1	KUB105-140100-2	KUB105-140100-3	KUB105-140100-4	1.17
	1330	KUB105-140133-1	KUB105-140133-2	KUB105-140133-3	KUB105-140133-4	1.56
	1670			KUB105-140167-3	KUB105-140167-4	1.95
	2000			KUB105-140200-3	KUB105-140200-4	2.34
1500	1000	KUB105-150100-1	KUB105-150100-2	KUB105-150100-3	KUB105-150100-4	1.09
	1330	KUB105-150133-1	KUB105-150133-2	KUB105-150133-3	KUB105-150133-4	1.45
	1670			KUB105-150167-3	KUB105-150167-4	1.82
	2000			KUB105-150200-3	KUB105-150200-4	2.18
	2330			KUB105-150233-3	KUB105-150233-4	2.54

上記以外の仕様のヒータも製作いたします。

KUB106

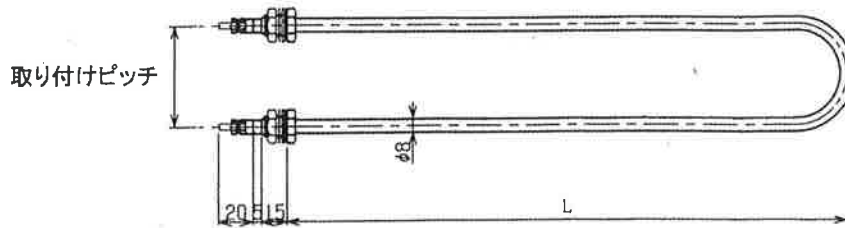
ヒータ径 φ10
取り付けピッチ 60 mm

□ 仕様

L	電力 W	形式				電力密度 W/cm ²
		100V	116V	200V	220V	
200	100	KUB106-2010-1				0.98
	150	KUB106-2015-1	KUB106-2015-2			1.47
	250	KUB106-2025-1	KUB106-2025-2			2.45
300	150	KUB106-3015-1	KUB106-3015-2			0.91
	330	KUB106-3033-1	KUB106-3033-2	KUB106-3033-3	KUB106-3033-4	2.00
	400	KUB106-3040-1	KUB106-3040-2	KUB106-3040-3	KUB106-3040-4	2.43
400	330	KUB106-4033-1	KUB106-4033-2	KUB106-4033-3	KUB106-4033-4	1.45
	400	KUB106-4040-1	KUB106-4040-2	KUB106-4040-3	KUB106-4040-4	1.76
	500	KUB106-4050-1	KUB106-4050-2	KUB106-4050-3	KUB106-4050-4	2.20
500	330	KUB106-5033-1	KUB106-5033-2	KUB106-5033-3	KUB106-5033-4	1.14
	500	KUB106-5050-1	KUB106-5050-2	KUB106-5050-3	KUB106-5050-4	1.72
	670	KUB106-5067-1	KUB106-5067-2	KUB106-5067-3	KUB106-5067-4	2.31
600	330	KUB106-6033-1	KUB106-6033-2	KUB106-6033-3	KUB106-6033-4	0.93
	670	KUB106-6067-1	KUB106-6067-2	KUB106-6067-3	KUB106-6067-4	1.90
	830	KUB106-6083-1	KUB106-6083-2	KUB106-6083-3	KUB106-6083-4	2.35
700	330	KUB106-7033-1	KUB106-7033-2	KUB106-7033-3	KUB106-7033-4	0.79
	670	KUB106-7067-1	KUB106-7067-2	KUB106-7067-3	KUB106-7067-4	1.61
	1000	KUB106-70100-1	KUB106-70100-2	KUB106-70100-3	KUB106-70100-4	2.40
800	330	KUB106-8033-1	KUB106-8033-2	KUB106-8033-3	KUB106-8033-4	0.69
	670	KUB106-8067-1	KUB106-8067-2	KUB106-8067-3	KUB106-8067-4	1.40
	1000	KUB106-80100-1	KUB106-80100-2	KUB106-80100-3	KUB106-80100-4	2.09
900	670	KUB106-9067-1	KUB106-9067-2	KUB106-9067-3	KUB106-9067-4	1.24
	1000	KUB106-90100-1	KUB106-90100-2	KUB106-90100-3	KUB106-90100-4	1.84
	1330	KUB106-90133-1	KUB106-90133-2	KUB106-90133-3	KUB106-90133-4	2.45
1000	670	KUB106-10067-1	KUB106-10067-2	KUB106-10067-3	KUB106-10067-4	1.11
	1000	KUB106-100100-1	KUB106-100100-2	KUB106-100100-3	KUB106-100100-4	1.65
	1330	KUB106-100133-1	KUB106-100133-2	KUB106-100133-3	KUB106-100133-4	2.20
1100	670	KUB106-11067-1	KUB106-11067-2	KUB106-11067-3	KUB106-11067-4	1.00
	1000	KUB106-110100-1	KUB106-110100-2	KUB106-110100-3	KUB106-110100-4	1.50
	1330	KUB106-110133-1	KUB106-110133-2	KUB106-110133-3	KUB106-110133-4	1.99
	1670			KUB106-110167-3	KUB106-110167-4	2.50
1200	670	KUB106-12067-1	KUB106-12067-2	KUB106-12067-3	KUB106-12067-4	0.92
	1000	KUB106-120100-1	KUB106-120100-2	KUB106-120100-3	KUB106-120100-4	1.37
	1330	KUB106-120133-1	KUB106-120133-2	KUB106-120133-3	KUB106-120133-4	1.82
	1670			KUB106-120167-3	KUB106-120167-4	2.28
1300	670	KUB106-13067-1	KUB106-13067-2	KUB106-13067-3	KUB106-13067-4	0.84
	1000	KUB106-130100-1	KUB106-130100-2	KUB106-130100-3	KUB106-130100-4	1.26
	1330	KUB106-130133-1	KUB106-130133-2	KUB106-130133-3	KUB106-130133-4	1.68
	1670			KUB106-130167-3	KUB106-130167-4	2.10
	2000			KUB106-130200-3	KUB106-130200-4	2.52
1400	670	KUB106-14067-1	KUB106-14067-2	KUB106-14067-3	KUB106-14067-4	0.78
	1000	KUB106-140100-1	KUB106-140100-2	KUB106-140100-3	KUB106-140100-4	1.17
	1330	KUB106-140133-1	KUB106-140133-2	KUB106-140133-3	KUB106-140133-4	1.55
	1670			KUB106-140167-3	KUB106-140167-4	1.95
	2000			KUB106-140200-3	KUB106-140200-4	2.33
1500	1000	KUB106-150100-1	KUB106-150100-2	KUB106-150100-3	KUB106-150100-4	1.09
	1330	KUB106-150133-1	KUB106-150133-2	KUB106-150133-3	KUB106-150133-4	1.45
	1670			KUB106-150167-3	KUB106-150167-4	1.82
	2000			KUB106-150200-3	KUB106-150200-4	2.17
	2330			KUB106-150233-3	KUB106-150233-4	2.53

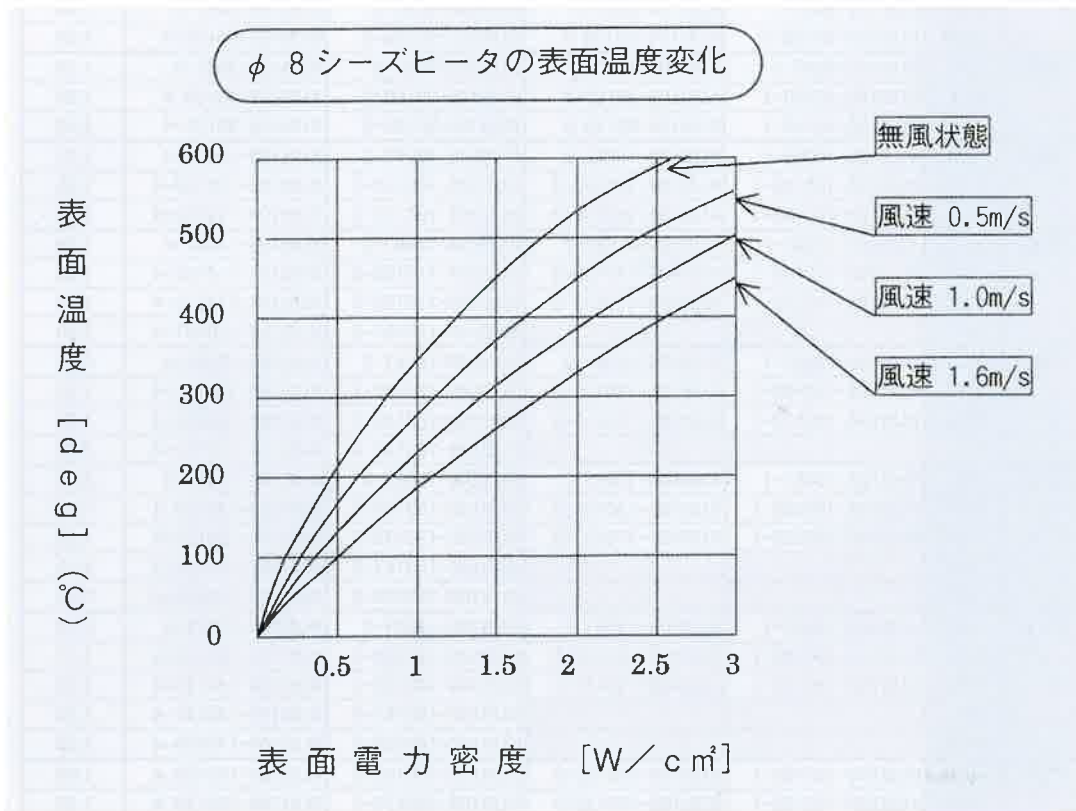
上記以外の仕様のヒータも製作いたします。

□ 形状・寸法



- ◇ KUB8型シーズヒータは、取り付けピッチ 40、50、60 (mm)、首下寸法 200～1500 (mm)の中から用途に応じたヒータを選べます。
- ◇ ブッシングはM12×15を標準化しております。(別頁参照)

□ 性能



注意

上記グラフの表面温度と表面電力密度の関係は、シーズヒータの寿命や性能を決定します。表面電力密度は、2.5W/cm²を越えない様にして下さい。このグラフは、一本のヒータエレメントを空气中に水平放置した場合の表面温度で、被加熱物に密着して取り付けられた場合は放熱効果が良くなり、表面温度は低くなります。また、数本のヒータエレメントを隣接して設置した場合は、相互熱影響で表面温度は高くなります。

KUB84

ヒータ径φ8
取り付けピッチ 40 mm

□ 仕様

L	電力		形式				電力密度 W/cm ²
	W		100V	116V	200V	220V	
200	130		KUB84-2013-1				1.64
	200		KUB84-2020-1	KUB84-2020-2			2.53
300	130		KUB84-3013-1	KUB84-3013-2			1.00
	200		KUB84-3020-1	KUB84-3020-2			1.54
	330		KUB84-3033-1	KUB84-3033-2	KUB84-3033-3	KUB84-3033-4	2.55
400	200		KUB84-4020-1	KUB84-4020-2	KUB84-4020-3	KUB84-4020-4	1.11
	330		KUB84-4033-1	KUB84-4033-2	KUB84-4033-3	KUB84-4033-4	1.84
	400		KUB84-4040-1	KUB84-4040-2	KUB84-4040-3	KUB84-4040-4	2.22
500	200		KUB84-5020-1	KUB84-5020-2	KUB84-5020-3	KUB84-5020-4	0.87
	330		KUB84-5033-1	KUB84-5033-2	KUB84-5033-3	KUB84-5033-4	1.43
	400		KUB84-5040-1	KUB84-5040-2	KUB84-5040-3	KUB84-5040-4	1.74
600	330		KUB84-6033-1	KUB84-6033-2	KUB84-6033-3	KUB84-6033-4	1.18
	400		KUB84-6040-1	KUB84-6040-2	KUB84-6040-3	KUB84-6040-4	1.43
	670		KUB84-6067-1	KUB84-6067-2	KUB84-6067-3	KUB84-6067-4	2.39
700	330		KUB84-7033-1	KUB84-7033-2	KUB84-7033-3	KUB84-7033-4	1.00
	670		KUB84-7067-1	KUB84-7067-2	KUB84-7067-3	KUB84-7067-4	2.03
	830		KUB84-7083-1	KUB84-7083-2	KUB84-7083-3	KUB84-7083-4	2.51
800	330		KUB84-8033-1	KUB84-8033-2	KUB84-8033-3	KUB84-8033-4	0.87
	670		KUB84-8067-1	KUB84-8067-2	KUB84-8067-3	KUB84-8067-4	1.76
	1000		KUB84-80100-1	KUB84-80100-2	KUB84-80100-3	KUB84-80100-4	2.62
900	330		KUB84-9033-1	KUB84-9033-2	KUB84-9033-3	KUB84-9033-4	0.76
	670		KUB84-9067-1	KUB84-9067-2	KUB84-9067-3	KUB84-9067-4	1.55
	1000		KUB84-90100-1	KUB84-90100-2	KUB84-90100-3	KUB84-90100-4	2.32
1000	330		KUB84-10033-1	KUB84-10033-2	KUB84-10033-3	KUB84-10033-4	0.69
	670		KUB84-10067-1	KUB84-10067-2	KUB84-10067-3	KUB84-10067-4	1.39
	1000		KUB84-100100-1	KUB84-100100-2	KUB84-100100-3	KUB84-100100-4	2.08
1100	670		KUB84-11067-1	KUB84-11067-2	KUB84-11067-3	KUB84-11067-4	1.26
	1000		KUB84-110100-1	KUB84-110100-2	KUB84-110100-3	KUB84-110100-4	1.88
	1330		KUB84-110133-1	KUB84-110133-2	KUB84-110133-3	KUB84-110133-4	2.50
1200	670		KUB84-12067-1	KUB84-12067-2	KUB84-12067-3	KUB84-12067-4	1.15
	1000		KUB84-120100-1	KUB84-120100-2	KUB84-120100-3	KUB84-120100-4	1.72
	1330		KUB84-120133-1	KUB84-120133-2	KUB84-120133-3	KUB84-120133-4	2.28
1300	670		KUB84-13067-1	KUB84-13067-2	KUB84-13067-3	KUB84-13067-4	1.06
	1000		KUB84-130100-1	KUB84-130100-2	KUB84-130100-3	KUB84-130100-4	1.58
	1330		KUB84-130133-1	KUB84-130133-2	KUB84-130133-3	KUB84-130133-4	2.10
1400	670		KUB84-14067-1	KUB84-14067-2	KUB84-14067-3	KUB84-14067-4	0.98
	1000		KUB84-140100-1	KUB84-140100-2	KUB84-140100-3	KUB84-140100-4	1.46
	1330		KUB84-140133-1	KUB84-140133-2	KUB84-140133-3	KUB84-140133-4	1.95
	1670				KUB84-140167-3	KUB84-140167-4	2.45
1500	670		KUB84-15067-1	KUB84-15067-2	KUB84-15067-3	KUB84-15067-4	0.91
	1000		KUB84-150100-1	KUB84-150100-2	KUB84-150100-3	KUB84-150100-4	1.36
	1330		KUB84-150133-1	KUB84-150133-2	KUB84-150133-3	KUB84-150133-4	1.81
	1670				KUB84-150167-3	KUB84-150167-4	2.28

上記以外の仕様のヒータも製作いたします。

KUB85

ヒータ径φ8
取り付けピッチ 50 mm

□ 仕様

L	電力		形式				電力密度 W/cm ²
	W		100V	116V	200V	220V	
200	130		KUB85-2013-1				1.61
	200		KUB85-2020-1	KUB85-2020-2			2.48
300	130		KUB85-3013-1	KUB85-3013-2			0.99
	200		KUB85-3020-1	KUB85-3020-2			1.53
	330		KUB85-3033-1	KUB85-3033-2	KUB85-3033-3	KUB85-3033-4	2.52
400	200		KUB85-4020-1	KUB85-4020-2	KUB85-4020-3	KUB85-4020-4	1.10
	330		KUB85-4033-1	KUB85-4033-2	KUB85-4033-3	KUB85-4033-4	1.82
	400		KUB85-4040-1	KUB85-4040-2	KUB85-4040-3	KUB85-4040-4	2.21
500	200		KUB85-5020-1	KUB85-5020-2	KUB85-5020-3	KUB85-5020-4	0.86
	330		KUB85-5033-1	KUB85-5033-2	KUB85-5033-3	KUB85-5033-4	1.43
	400		KUB85-5040-1	KUB85-5040-2	KUB85-5040-3	KUB85-5040-4	1.73
600	330		KUB85-6033-1	KUB85-6033-2	KUB85-6033-3	KUB85-6033-4	1.17
	400		KUB85-6040-1	KUB85-6040-2	KUB85-6040-3	KUB85-6040-4	1.42
	670		KUB85-6067-1	KUB85-6067-2	KUB85-6067-3	KUB85-6067-4	2.38
700	330		KUB85-7033-1	KUB85-7033-2	KUB85-7033-3	KUB85-7033-4	0.99
	670		KUB85-7067-1	KUB85-7067-2	KUB85-7067-3	KUB85-7067-4	2.02
	830		KUB85-7083-1	KUB85-7083-2	KUB85-7083-3	KUB85-7083-4	2.50
800	330		KUB85-8033-1	KUB85-8033-2	KUB85-8033-3	KUB85-8033-4	0.86
	670		KUB85-8067-1	KUB85-8067-2	KUB85-8067-3	KUB85-8067-4	1.75
	1000		KUB85-80100-1	KUB85-80100-2	KUB85-80100-3	KUB85-80100-4	2.61
900	330		KUB85-9033-1	KUB85-9033-2	KUB85-9033-3	KUB85-9033-4	0.76
	670		KUB85-9067-1	KUB85-9067-2	KUB85-9067-3	KUB85-9067-4	1.55
	1000		KUB85-90100-1	KUB85-90100-2	KUB85-90100-3	KUB85-90100-4	2.31
1000	330		KUB85-10033-1	KUB85-10033-2	KUB85-10033-3	KUB85-10033-4	0.68
	670		KUB85-10067-1	KUB85-10067-2	KUB85-10067-3	KUB85-10067-4	1.39
	1000		KUB85-100100-1	KUB85-100100-2	KUB85-100100-3	KUB85-100100-4	2.07
1100	670		KUB85-11067-1	KUB85-11067-2	KUB85-11067-3	KUB85-11067-4	1.26
	1000		KUB85-110100-1	KUB85-110100-2	KUB85-110100-3	KUB85-110100-4	1.87
	1330		KUB85-110133-1	KUB85-110133-2	KUB85-110133-3	KUB85-110133-4	2.49
1200	670		KUB85-12067-1	KUB85-12067-2	KUB85-12067-3	KUB85-12067-4	1.15
	1000		KUB85-120100-1	KUB85-120100-2	KUB85-120100-3	KUB85-120100-4	1.71
	1330		KUB85-120133-1	KUB85-120133-2	KUB85-120133-3	KUB85-120133-4	2.28
1300	670		KUB85-13067-1	KUB85-13067-2	KUB85-13067-3	KUB85-13067-4	1.06
	1000		KUB85-130100-1	KUB85-130100-2	KUB85-130100-3	KUB85-130100-4	1.58
	1330		KUB85-130133-1	KUB85-130133-2	KUB85-130133-3	KUB85-130133-4	2.10
1400	670		KUB85-14067-1	KUB85-14067-2	KUB85-14067-3	KUB85-14067-4	0.98
	1000		KUB85-140100-1	KUB85-140100-2	KUB85-140100-3	KUB85-140100-4	1.46
	1330		KUB85-140133-1	KUB85-140133-2	KUB85-140133-3	KUB85-140133-4	1.94
	1670				KUB85-140167-3	KUB85-140167-4	2.44
1500	670		KUB85-15067-1	KUB85-15067-2	KUB85-15067-3	KUB85-15067-4	0.91
	1000		KUB85-150100-1	KUB85-150100-2	KUB85-150100-3	KUB85-150100-4	1.36
	1330		KUB85-150133-1	KUB85-150133-2	KUB85-150133-3	KUB85-150133-4	1.81
	1670				KUB85-150167-3	KUB85-150167-4	2.27

上記以外の仕様のヒータも製作いたします。

KUB86

ヒータ径φ8
取り付けピッチ 60 mm

□ 仕様

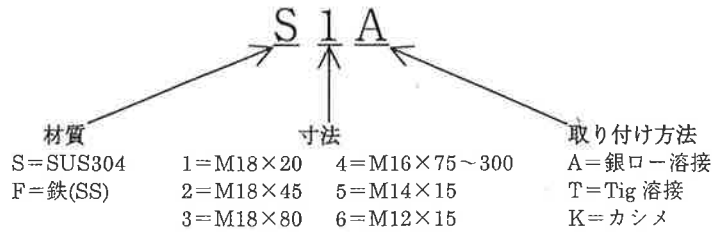
L	電力		形式				電力密度 W/cm ²
	W		100V	116V	200V	220V	
200	130		KUB86-2013-1				1.58
	200		KUB86-2020-1	KUB86-2020-2			2.44
300	130		KUB86-3013-1	KUB86-3013-2			0.98
	200		KUB86-3020-1	KUB86-3020-2			1.51
	330		KUB86-3033-1	KUB86-3033-2	KUB86-3033-3	KUB86-3033-4	2.49
400	200		KUB86-4020-1	KUB86-4020-2	KUB86-4020-3	KUB86-4020-4	1.09
	330		KUB86-4033-1	KUB86-4033-2	KUB86-4033-3	KUB86-4033-4	1.81
	400		KUB86-4040-1	KUB86-4040-2	KUB86-4040-3	KUB86-4040-4	2.19
500	200		KUB86-5020-1	KUB86-5020-2	KUB86-5020-3	KUB86-5020-4	0.86
	330		KUB86-5033-1	KUB86-5033-2	KUB86-5033-3	KUB86-5033-4	1.42
	400		KUB86-5040-1	KUB86-5040-2	KUB86-5040-3	KUB86-5040-4	1.72
600	330		KUB86-6033-1	KUB86-6033-2	KUB86-6033-3	KUB86-6033-4	1.16
	400		KUB86-6040-1	KUB86-6040-2	KUB86-6040-3	KUB86-6040-4	1.41
	670		KUB86-6067-1	KUB86-6067-2	KUB86-6067-3	KUB86-6067-4	2.36
700	330		KUB86-7033-1	KUB86-7033-2	KUB86-7033-3	KUB86-7033-4	0.99
	670		KUB86-7067-1	KUB86-7067-2	KUB86-7067-3	KUB86-7067-4	2.01
	830		KUB86-7083-1	KUB86-7083-2	KUB86-7083-3	KUB86-7083-4	2.49
800	330		KUB86-8033-1	KUB86-8033-2	KUB86-8033-3	KUB86-8033-4	0.86
	670		KUB86-8067-1	KUB86-8067-2	KUB86-8067-3	KUB86-8067-4	1.75
	1000		KUB86-80100-1	KUB86-80100-2	KUB86-80100-3	KUB86-80100-4	2.60
900	330		KUB86-9033-1	KUB86-9033-2	KUB86-9033-3	KUB86-9033-4	0.76
	670		KUB86-9067-1	KUB86-9067-2	KUB86-9067-3	KUB86-9067-4	1.54
	1000		KUB86-90100-1	KUB86-90100-2	KUB86-90100-3	KUB86-90100-4	2.30
1000	330		KUB86-10033-1	KUB86-10033-2	KUB86-10033-3	KUB86-10033-4	0.68
	670		KUB86-10067-1	KUB86-10067-2	KUB86-10067-3	KUB86-10067-4	1.38
	1000		KUB86-100100-1	KUB86-100100-2	KUB86-100100-3	KUB86-100100-4	2.06
1100	670		KUB86-11067-1	KUB86-11067-2	KUB86-11067-3	KUB86-11067-4	1.25
	1000		KUB86-110100-1	KUB86-110100-2	KUB86-110100-3	KUB86-110100-4	1.87
	1330		KUB86-110133-1	KUB86-110133-2	KUB86-110133-3	KUB86-110133-4	2.49
1200	670		KUB86-12067-1	KUB86-12067-2	KUB86-12067-3	KUB86-12067-4	1.14
	1000		KUB86-120100-1	KUB86-120100-2	KUB86-120100-3	KUB86-120100-4	1.71
	1330		KUB86-120133-1	KUB86-120133-2	KUB86-120133-3	KUB86-120133-4	2.27
1300	670		KUB86-13067-1	KUB86-13067-2	KUB86-13067-3	KUB86-13067-4	1.05
	1000		KUB86-130100-1	KUB86-130100-2	KUB86-130100-3	KUB86-130100-4	1.57
	1330		KUB86-130133-1	KUB86-130133-2	KUB86-130133-3	KUB86-130133-4	2.09
1400	670		KUB86-14067-1	KUB86-14067-2	KUB86-14067-3	KUB86-14067-4	0.98
	1000		KUB86-140100-1	KUB86-140100-2	KUB86-140100-3	KUB86-140100-4	1.46
	1330		KUB86-140133-1	KUB86-140133-2	KUB86-140133-3	KUB86-140133-4	1.94
	1670				KUB86-140167-3	KUB86-140167-4	2.43
1500	670		KUB86-15067-1	KUB86-15067-2	KUB86-15067-3	KUB86-15067-4	0.91
	1000		KUB86-150100-1	KUB86-150100-2	KUB86-150100-3	KUB86-150100-4	1.36
	1330		KUB86-150133-1	KUB86-150133-2	KUB86-150133-3	KUB86-150133-4	1.81
	1670				KUB86-150167-3	KUB86-150167-4	2.27

上記以外の仕様のヒータも製作いたします。

KUB型

ブッシング

□ ブッシング型式の表示方法



KUB型のブッシングの特徴

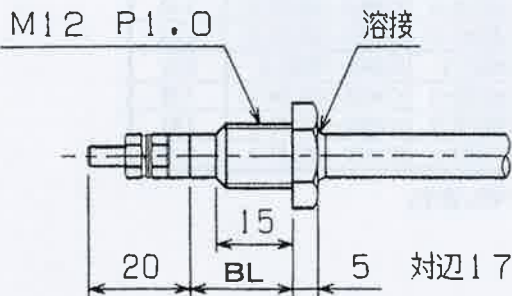
- ▶ ヒータエレメントの保持にはブッシングを使用します。ブッシングの取り付けには、気密を保つ溶接付けタイプと低コストのカシメタイプがあります。(KUB10・8用のブッシングは溶接付けタイプのみです。)
- ▶ ブッシングの溶接は、銀ロー溶接とTig溶接が標準です。銀ロー溶接は鍍側を溶接し、Tig溶接では鍍側、又はネジ側を溶接することができます。
- ▶ ブッシングの材質は SUS304 と SS(鉄)があります。(KUB10・8用のブッシングは SUS304 のみです。)
- ▶ M16パイプブッシングは鍍下パイプ長を75mmから300mmを標準化しております。
- ▶ 端子部側を遮熱する場合は断熱材を使用してください。断熱材の厚さや取り付ける容器の形状に合わせてBL寸法を決定してください。

□ ヒータ径φ8用ブッシングの各種仕様

□ ヒータ径φ10用ブッシングの各種仕様

溶接付けタイプ

S6A型/S6T型



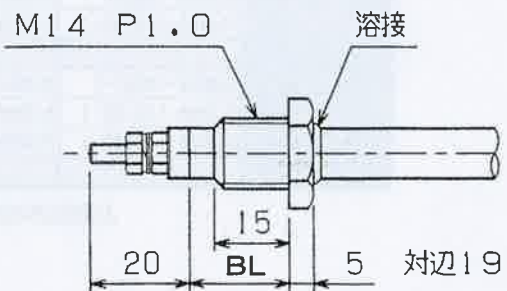
BL寸法：20~100mm (20mmピッチ)

溶接方法：銀ロー溶接、Tig溶接

溶接用 M12×15六角ブッシング

溶接付けタイプ

S5A型/S5T型



BL寸法：20~100mm (20mmピッチ)

溶接方法：銀ロー溶接、Tig溶接

溶接用 M14×15六角ブッシング

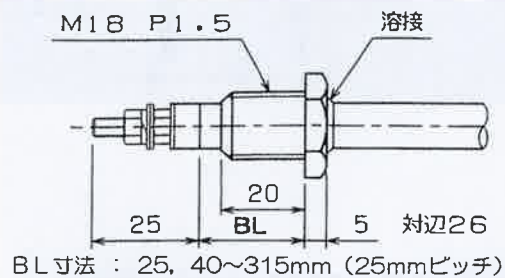
KUB型

ブッシング

□ ヒータ径φ12用ブッシングの各種仕様

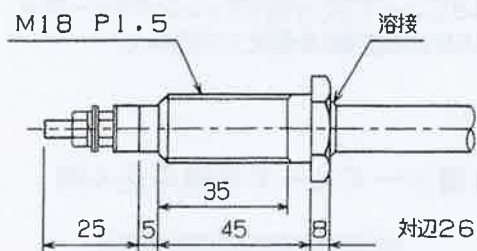
溶接付けタイプ

S1A型/S1T型/F1A型



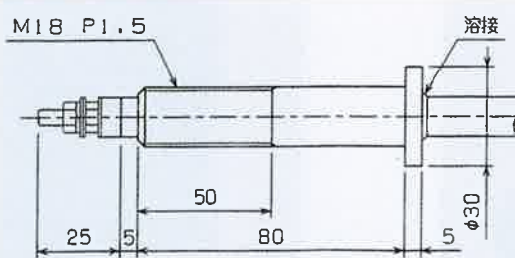
溶接用 M18×20六角ブッシング

S2A型/S2T型/F2A型



溶接用 M18×45六角ブッシング

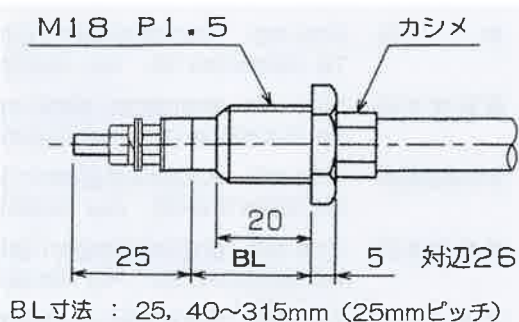
S3A型/S3T型/F3A型



溶接用 M18×80丸銑ブッシング

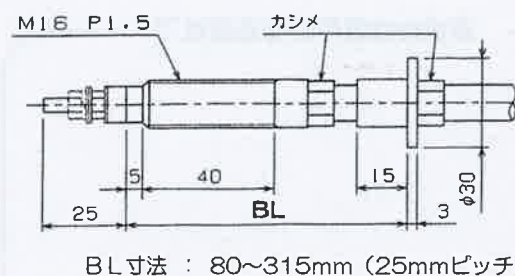
カシメタイプ (低コスト型)

S1K型/F1K型



カシメ用 M18×20六角ブッシング

S4K型/F4K型



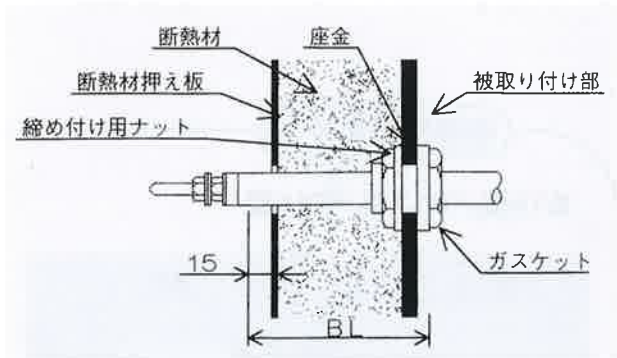
カシメ用 M16×75~300 パイプブッシング

KUB型

□ ヒータの取り付け方法

気密性を高めるために、シーズヒータに取り付けられたブッシングと被取り付け部との間にガスケットを挟み、右図のように端子側からナットで締め付けます。

ヒータエレメントが高温に設計されている場合で端子部側(端子箱内)の温度上昇を防ぎたい時には、右図のように端子部側に断熱材を入れて遮熱します。断熱材の厚さによってBL寸法(ブッシングをヒータエレメントに取り付ける位置)を変えてください。



□ KUB型シーズヒータの組み込み例



フランジヒータ



ダクトヒータ

進興電気工業株式会社

お求めは信用のある当社で

本 社 〒535-0031 大阪市旭区高殿2丁目5番5号
Tel 06(6922)3881(代) Fax 06(6922)3886

静岡営業所 〒422-8056 静岡市駿河区津島町12番15号
Tel 054(283)7681(代) Fax 054(283)7682

名古屋営業所 〒462-0036 名古屋市北区長喜町3丁目7番地
Tel 052(991)2261(代) Fax 052(991)2264

広島営業所 〒734-0002 広島市南区西旭町11番9号
Tel 082(253)8191(代) Fax 082(253)8192

大阪工場 〒572-0822 大阪府寝屋川市木田元宮1-18-10
Tel 072(822)7501(代) Fax 072(822)7506

岡山工場 〒708-1526 岡山県久米郡美咲町高下309-1
Tel 086(954)0046(代) Fax 086(954)0048